

HEAVY-DUTY HAND PUMPS

BETEX PB/HC series, heavy-duty hand pumps

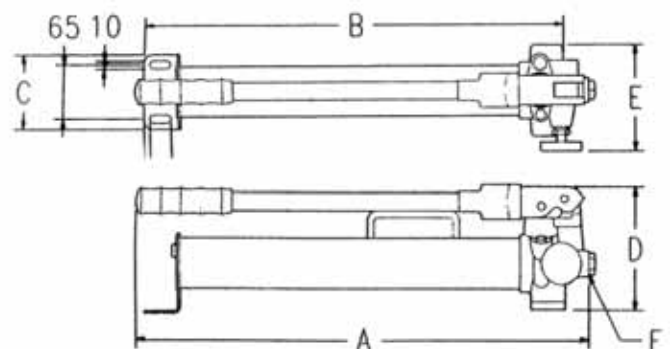


Model: PB series

- Betex heavy duty hand pumps feature a forged construction.
- The drop-forged base and rugged welded construction effectively prevents collision damage and deformation.
- The professional choice for a wide range of industrial applications.
- Internal overload valve prevents pump from being used beyond its rated capacity.
- Two-speed pumps provide rapid pumping to load the cylinder quickly.
- External adjustable relief valve with locking mechanism.
- Carrying handles for easy portability.

Also available as a HANDPUMPSET, this includes:

- T-adaptor
- gauge
- hose
- couplers
- steel storage case



PH/HC series

TIP! Use in combination accessories, page 51-53

Type	Pressure rating (bar)		Usable oil capacity cm ³	Oil volume per stroke cm ³		A mm	B mm	C mm	D mm	E mm	Oil port thread F	Weight Kg
	1st stage	2nd stage		1st stage	2nd stage							
PB350	13,8	700	350	13,0	2,8	335	303	90	146	128	3/8"-NPT	5,5
PB600	13,8	700	600	13,0	2,8	543	480	90	146	142	3/8"-NPT	7,6
PB700	13,8	700	700	13,0	2,8	632	541	90	146	128	3/8"-NPT	7,3
HC1500	13,8	700	1500	13,0	2,8	633	551	106	200	142	3/8"-NPT	11,2
HC2000	13,8	700	2000	13,0	2,8	580	523	140	189	148	3/8"-NPT	11,5